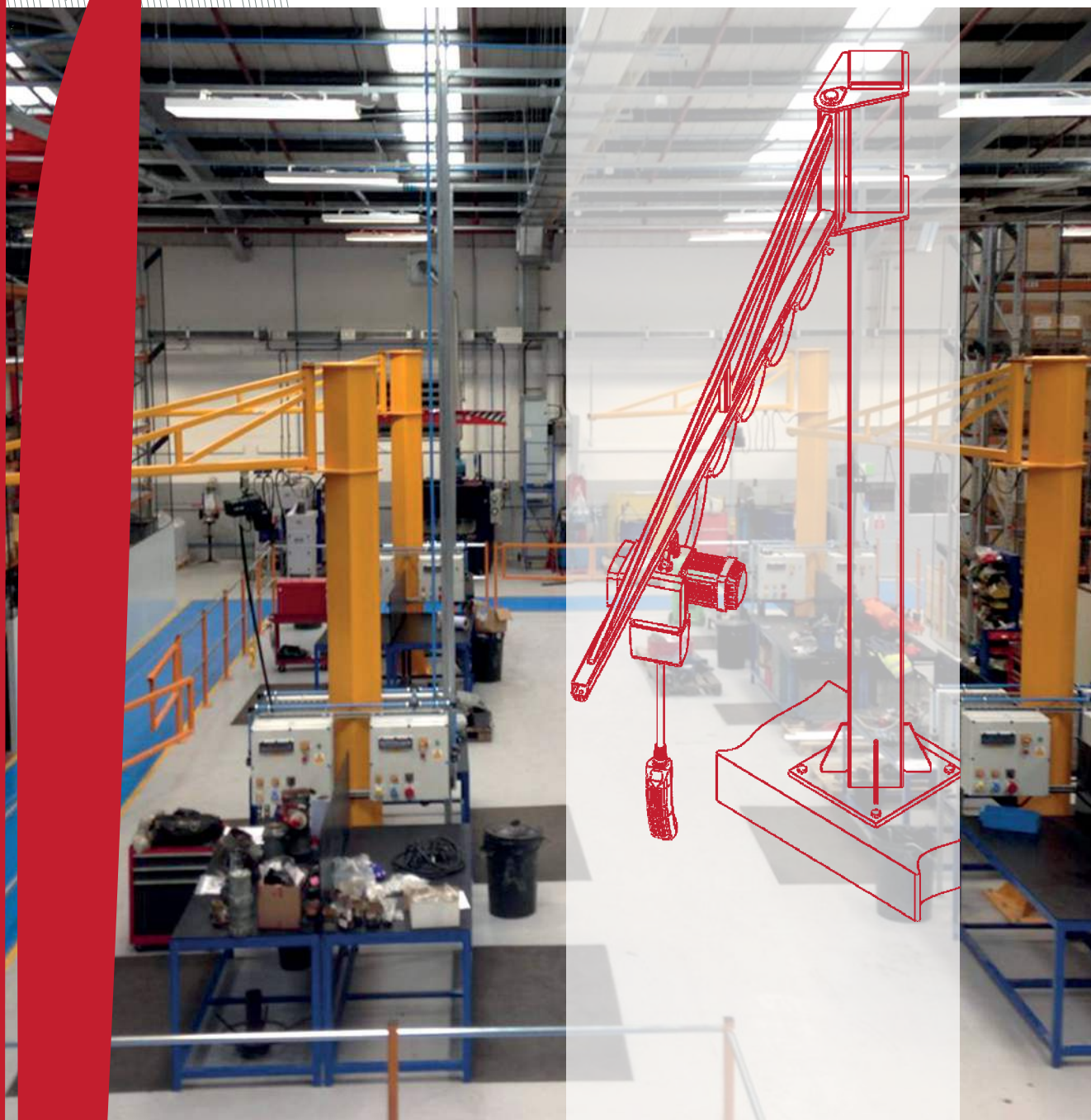


NIKO Jib Cranes



NIKO ... Quality in Motion



NIKO Jib Cranes

NIKO manufactures and supplies a wide range of different types of jib cranes, that can be freestanding, clamp around an existing column or bolt directly onto a wall.

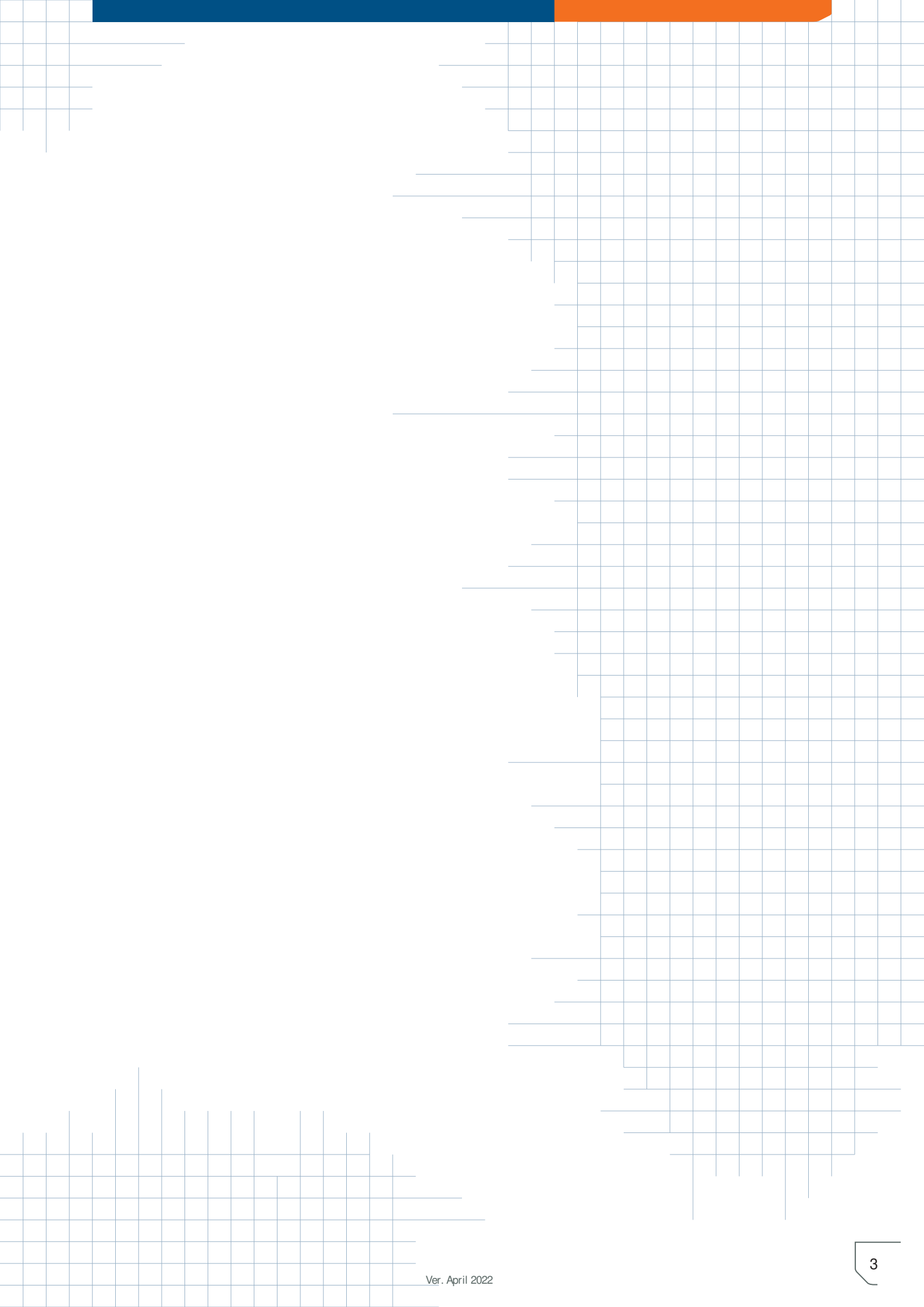
Comprising of various arm types, NIKO jib cranes are built to customer requirements to ensure they fully satisfy the customers lifting requirements.

Features

- ✓ SWL: 80 - 2000kg
- ✓ Arm length: up to 6m
- ✓ Column height: up to 5m
- ✓ Arm types: profile track, under-braced I-beam, over-braced I-beam and articulated/ knuckle
- Fixing: freestanding, wall fixing, clamp around column fixing
- ✓ Slewing arc: 270° on standard arms or 360° on articulated arms
- Finish: powder coated, zinc plated, hot dip galvanised or stainless steel

Advantages

- ✓ Made to order, no costs for excess steel or cutting
- ✓ Free and easy to operate
- ✓ Low maintenance
- ✓ Lubrication-free bearings used on majority of jib arms
- ✓ Base fabricated directly to pillar and therefore expensive foundation frames are not required



Clamp around Column Mounted Jib Cranes

NIKOcolumn mounted jib cranes comprise of an arm and a pair of brackets that can be clamped around an existing building column/ stanchion/ pillar. The support structure must be tested by a structural engineer to ensure it is strong enough to sustain the weight of the jib when loaded. The arm is then located between the pair of clamping brackets and fixed using a pivot pin. The arm then rotates around the support column and enables lifting within a predetermined arc. Anti-slip measures must be taken to ensure that the jib crane cannot slip down the support column.

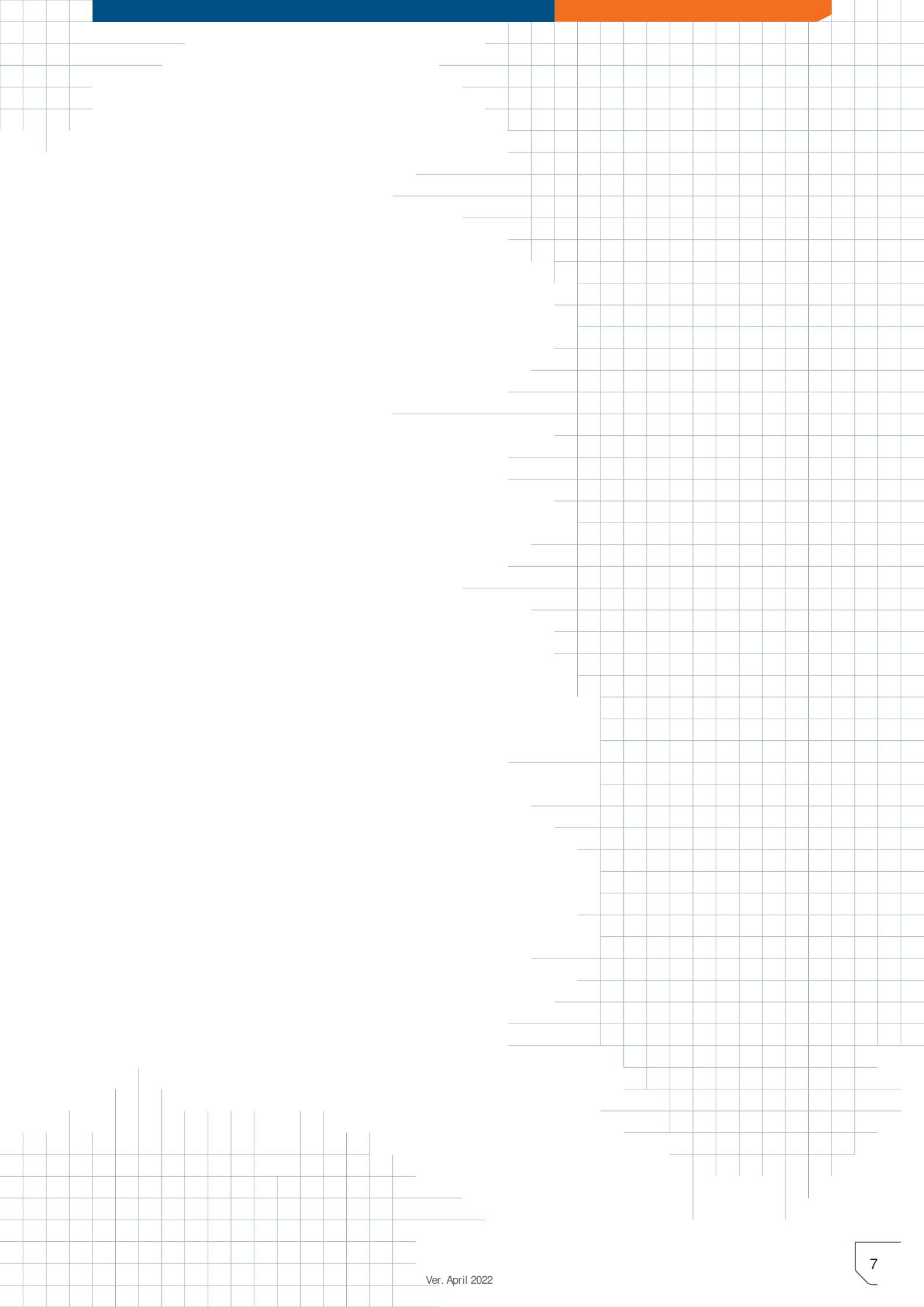
NIKOwall mounted jib cranes comprise of an arm and a pair of brackets that can be bolted or welded to an existing wall or building column/ stanchion/ pillar. The support structure must be tested by a structural engineer to ensure it is strong enough to sustain the weight of the jib when loaded. The arm is then located between the pair of clamping brackets and fixed using a pivot pin. The arm then rotates around the support column and enables lifting within a predetermined arc.

Under-braced (UB) I-beam Jib cranes

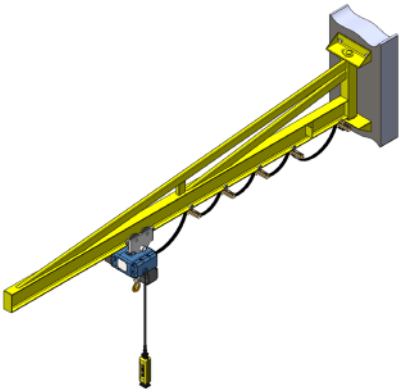
I-Beam Jib Cranes are generally used when powered travel is required along the arm. Under-braced I-beam jib cranes, are braced below the arm onto the underside of an I-beam. These are the lowest headroom variation and therefore are normally used in areas where headroom is limited.

B. C

Mc

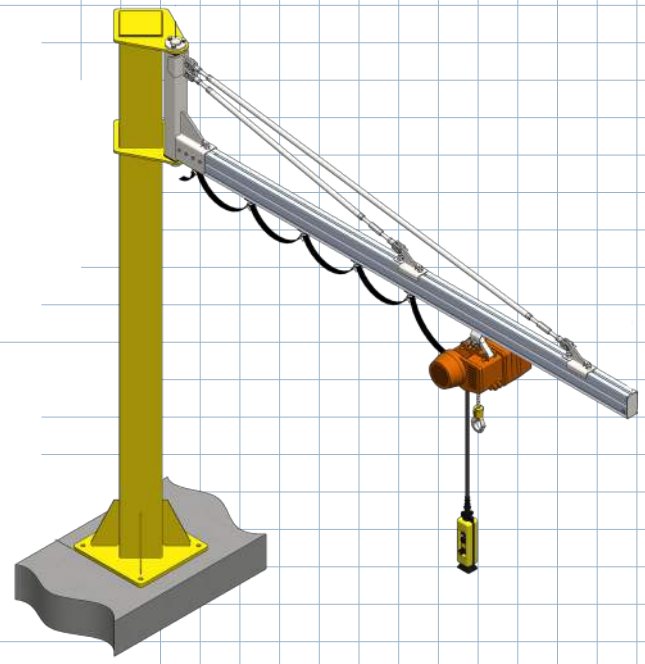


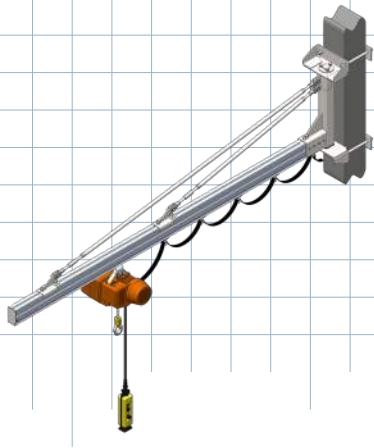
B. Clamp around Column Mounted Jib Cranes



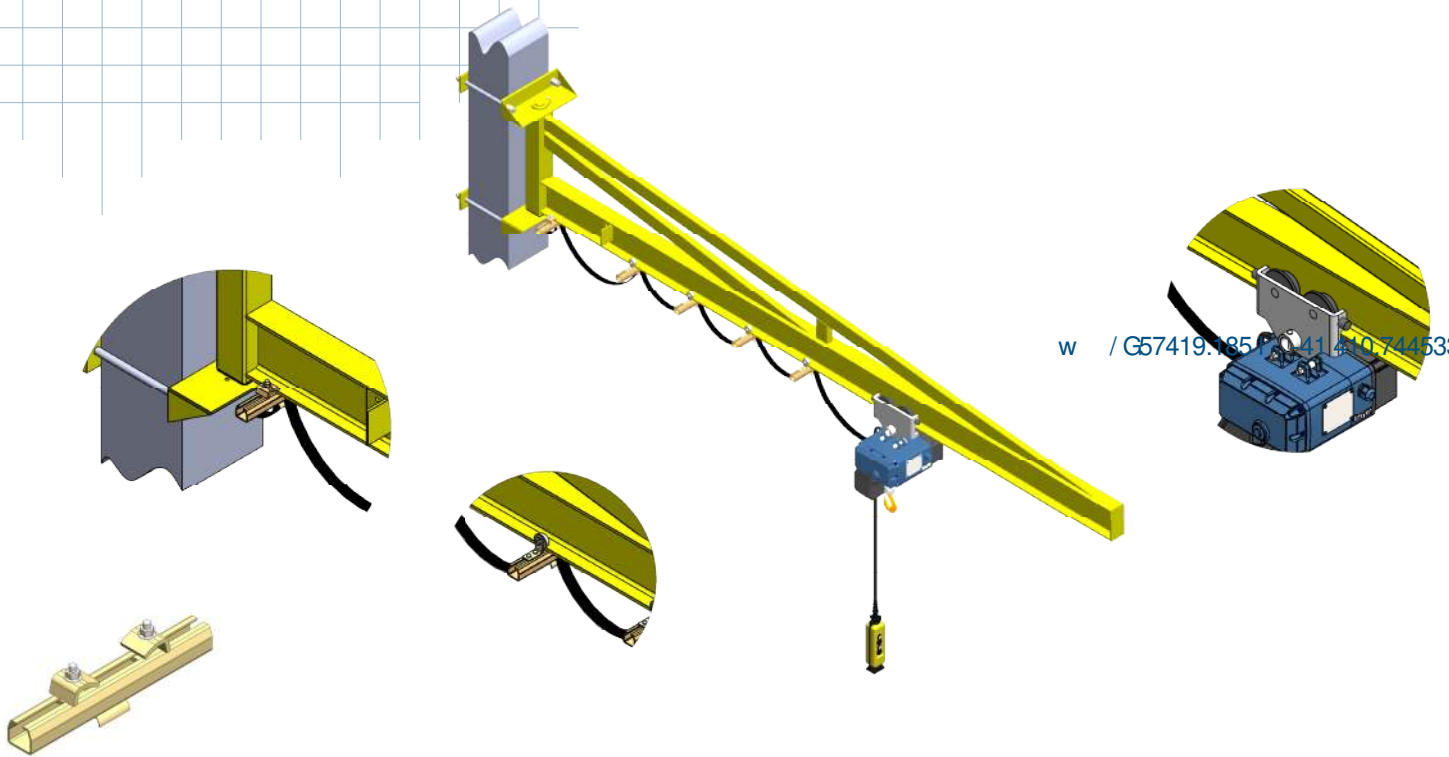
Aluminium profile jib cranes

A. Freestanding Jib crane

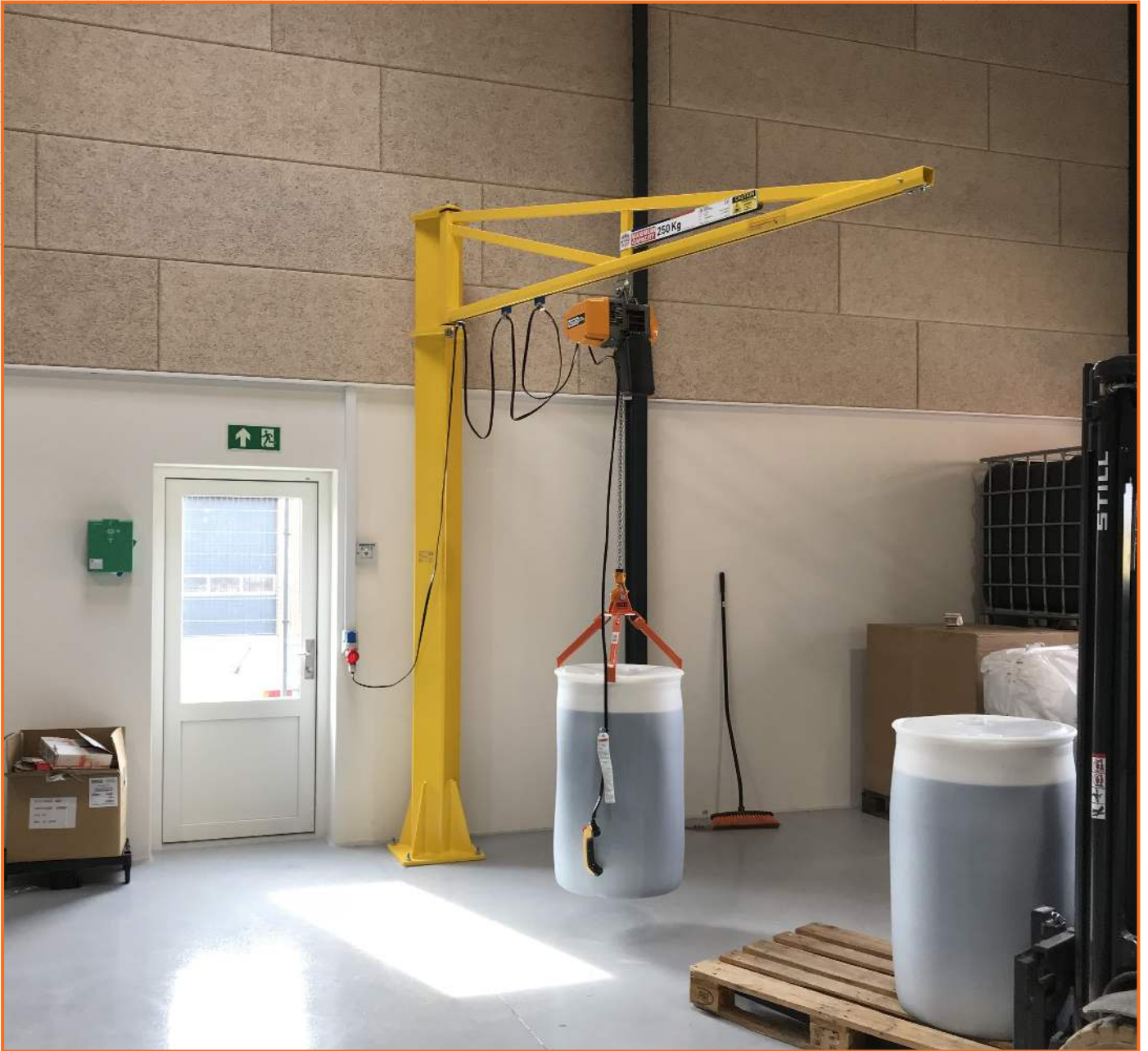




Special applications of Jib cranes

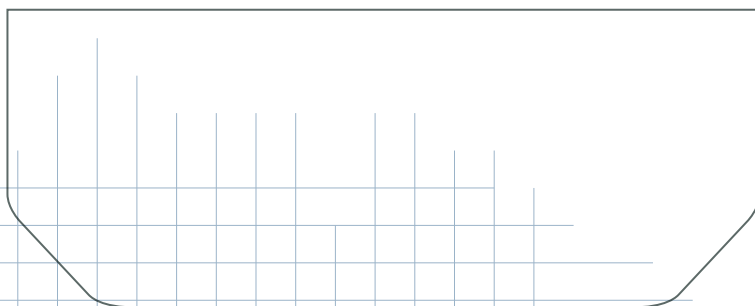


Application Photos



Application Photos





Complete NIKO product range:

LIGHT DUTY SLIDING DOOR HARDWARE
HEAVY DUTY SLIDING DOOR HARDWARE
CONVEYOR SYSTEMS
LIGHT CRANES
**CABLE TROLLEYS, FESTOON SYSTEMS &
CONDUCTOR BARS**
PERSONAL FALL ARREST SYSTEMS (EN 795)
ACCESSORIES FOR GATES AND DOORS